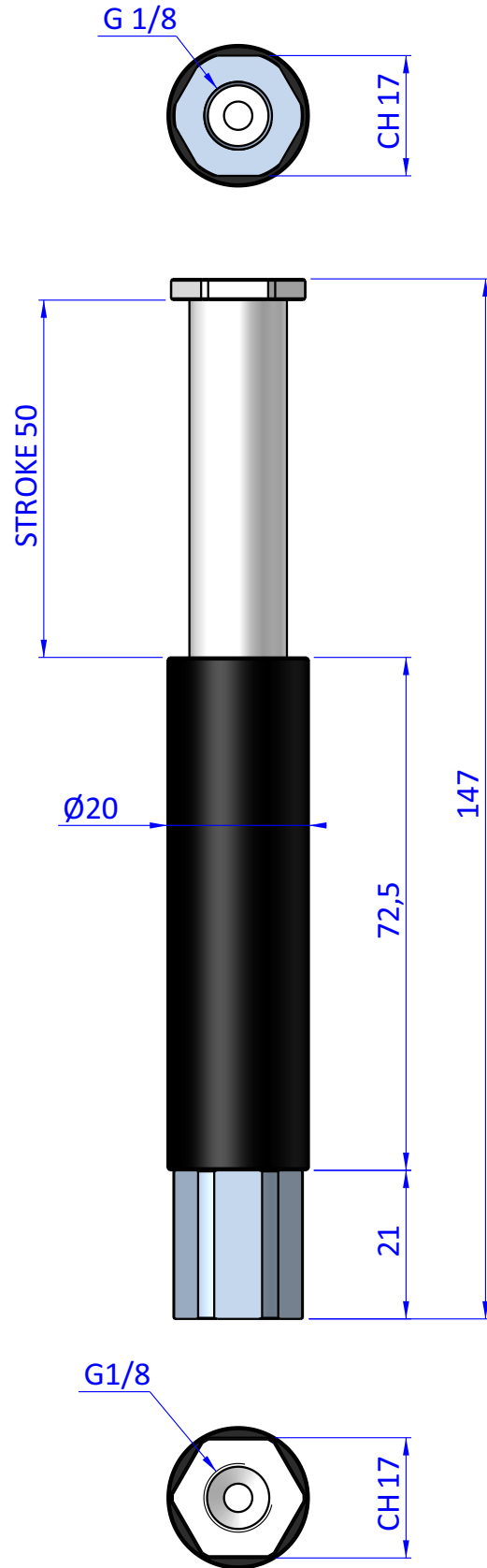
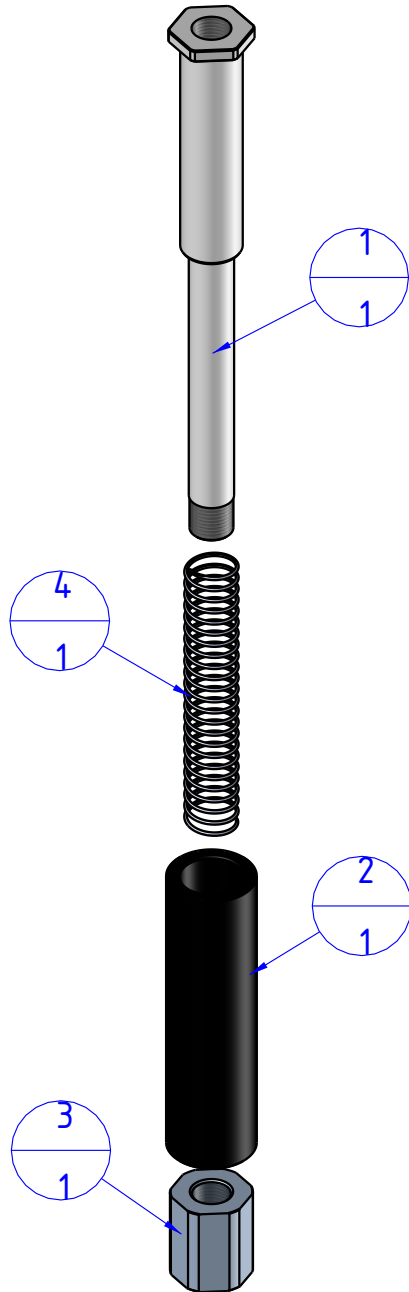


THE PROPERTY OF THE DRAWING IS ESTABLISHED BY LAW. IT IS FORBIDDEN TO PRODUCE OR SHOW IT TO THIRD PART. WITHOUT A WRITTEN AGREEMENT.

Item	Name	Q.ty
1	SDR.2050.01	1
2	SDR.2050.02	1
3	VSN.20.1	1
4	M.12X81.5	1



DESIGNED FROM <b>FPS Automation</b>		REVIEW <b>A</b>
DATE <b>23/10/2020</b>	WEIGHT <b>0,074kg</b>	
CODE <b>CA.SDR.2050</b>		

Format **A4**

**UNI 936-76**

GENERAL TOLERANCE

UNI - ISO 2768

CLASSE f

DESCRIPTION

**CA.SDR.2050**